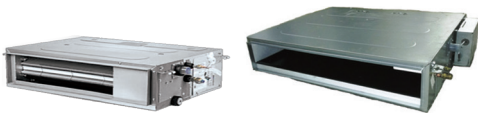


STANDARD INVERTER (R32)

LOW STATIC PRESSURE

- CL09F / CL12F / CL18F / CL24F



UUA1 ULO

UUB1 U20

UUC1 U40



LG participates in the ECP programme for EUROVENT AC program.
Check ongoing validity of certification
: www.eurovent-certification.com

CEILING CONCEALED DUCT

| COMBINATION | | | | 9 | 12 | 18 | 24 |
|-------------------------------------|--------------------------------|---------------------|--------------|--------------------|--------------------|-------------------|-------------------|
| Capacity | Cooling | Min. / Rated / Max. | kW | 1.5 / 2.5 / 3.2 | 1.5 / 3.4 / 4.7 | 2.0 / 5.0 / 5.8 | 2.7 / 6.8 / 7.8 |
| | Heating | Min. / Rated / Max. | kW | 1.8 / 3.2 / 4.0 | 1.8 / 4.0 / 4.9 | 2.3 / 5.8 / 6.7 | 3.0 / 7.5 / 9.0 |
| Power Input (Set) | Cooling | Min. / Rated / Max. | kW | 0.30 / 0.67 / 0.93 | 0.33 / 1.05 / 1.84 | 0.3 / 1.35 / 1.89 | 0.4 / 2.03 / 2.84 |
| | Heating | Min. / Rated / Max. | kW | 0.38 / 0.75 / 1.63 | 0.33 / 1.08 / 1.63 | 0.4 / 1.77 / 2.48 | 0.4 / 2.13 / 3.30 |
| Running Current | Cooling | Rated | A | 3.0 | 4.7 | 7.5 | 9.0 |
| | Heating | Rated | A | 3.3 | 4.8 | 8.3 | 9.4 |
| EER / COP | | | kWh / kWh | 3.80 / 4.30 | 3.23 / 3.71 | 3.71 / 3.28 | 3.35 / 3.52 |
| SEER / SCOP | | | kWh / kWh | 6.1 / 4.0 | 5.6 / 3.8 | 6.1 / 3.9 | 6.2 / 3.9 |
| Pdesign | Cooling @ 35°C | | kW | 2.5 | 3.4 | 5 | 6.8 |
| | Heating @ -10°C | | kW | 2.9 | 2.9 | 4.1 | 5.4 |
| Seasonal Energy Label | Cooling / Heating | | - | A++ / A+ | A+ / A | A++ / A | A++ / A |
| Annual Energy Consumption | Cooling / Heating | | kWh | 143 / 1,015 | 213 / 1,068 | 287 / 1,472 | 384 / 1,938 |
| Dehumidification Rate | | | l/h | 0.2 | 0.8 | 1.6 | 2.5 |
| ODU Sound Pressure Level | Cooling / Heating | Rated | dB(A) | 49 / 52 | 49 / 52 | 47 / 52 | 48 / 52 |
| ODU Sound Power Level | Cooling | Rated | dB(A) | 65 | 65 | 63 | 65 |
| Piping Connections | Liquid | | mm (inch) | Ø6.35 (1/4) | Ø6.35 (1/4) | Ø6.35 (1/4) | Ø9.52 (3/8) |
| | Gas | | mm (inch) | Ø9.52 (3/8) | Ø9.52 (3/8) | Ø12.7 (1/2) | Ø15.88 (5/8) |
| | Connections Method | | - | Flared | Flared | Flared | Flared |
| Operation Range (Outdoor) | Cooling | Min. / Max. | °C | -15 / 50 | -15 / 50 | -15 / 50 | -20 / 50 |
| | Heating | Min. / Max. | °C | -20 / 18 | -20 / 18 | -20 / 18 | -20 / 18 |
| INDOOR | | | | CL09F N50 | CL12F N50 | CL18F N60 | CL24F N30 |
| Power Supply | | | Ø / V / Hz | 1 / 220-240 / 50 | 1 / 220-240 / 50 | 1 / 220-240 / 50 | 1 / 220-240 / 50 |
| Power Input (IDU) | | H / M / L | W | 21 / 15 / 13 | 21 / 15 / 13 | 100 / 90 / 80 | 150 / 130 / 110 |
| Air Flow Rate | | H / M / L | m³/min | 11.5 / 9.5 / 8 | 11.5 / 9.5 / 8 | 15 / 12 / 10 | 20 / 16 / 12 |
| Dimensions | Body | W x H x D | mm | 900 x 190 x 460 | 900 x 190 x 460 | 1,100 x 190 x 460 | 1,100 x 190 x 700 |
| Weight | Body | | kg | 18.0 | 18.0 | 20.9 | 26.0 |
| Sound Pressure Level | Cooling | H / M / L | dB(A) | 35 / 30 / 27 | 35 / 30 / 27 | 34 / 31 / 29 | 39 / 35 / 32 |
| Sound Power Level | Cooling | Max. | dB(A) | 55 | 55 | 56 | 58 |
| Piping Connections | Drain | O.D. / I.D. | mm | Ø32.0 / 26.0 | Ø32.0 / 26.0 | Ø32.0 / 26.0 | Ø32.0 / 26.0 |
| OUTDOOR | | | | UUA1 ULO | UUB1 U20 | UUC1 U40 | |
| Power Supply | | | Ø / V / Hz | 1 / 220-240 / 50 | 1 / 220-240 / 50 | 1 / 220-240 / 50 | |
| Circuit Breaker | | Min. | A | 15 | 20 | 25 | |
| Power Supply Cable (Included Earth) | | | No x mm³ | 3C x 1.5 | 3C x 2.5 | 3C x 2.5 | |
| Dimensions | Net | W x H x D | mm | 770 x 545 x 288 | 870 x 650 x 330 | 950 x 834 x 330 | |
| Weight | Net | | kg | 33.3 | 44.5 | 57.7 | |
| Compressor | Type | | - | Twin Rotary | Twin Rotary | Twin Rotary | |
| Refrigerant | Type | | - | R32 | R32 | R32 | |
| | GWP (Global Warming Potential) | | - | 675 | 675 | 675 | |
| | Precharged Amount | | kg | 1.0 | 1.2 | 1.9 | |
| | t-CO ₂ eq | | - | 0.675 | 0.81 | 1.283 | |
| | Additional Charge (After 7.5m) | | g/m | 20 | 20 | 40 | |
| Fan | Air Flow Rate | Rated | m³/min x No. | 28 x 1 | 50 x 1 | 58 x 1 | |
| Total Piping Length | | Min. / Max. | m | 5 / 30 | 5 / 30 | 5 / 50 | |
| Piping Elevation | IDU - ODU | Max. | m | 30 | 30 | 30 | |

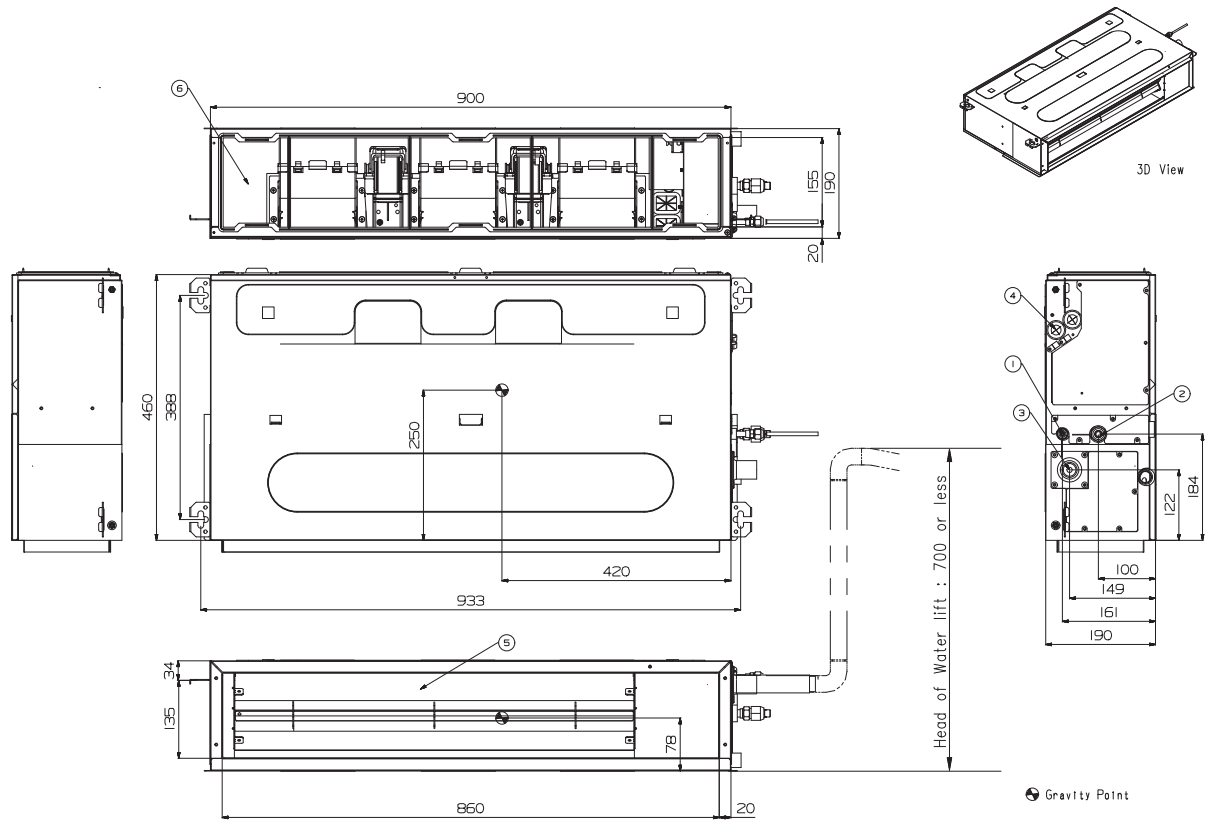
CEILING CONCEALED DUCT

STANDARD INVERTER (R32) / LOW STATIC

CL09F N50 / CL12F N50

(Unit : mm)

| | PART NAME |
|---|-------------------------|
| 1 | Liquid Pipe Connection |
| 2 | Gas Pipe Connection |
| 3 | Drain Pipe Connection |
| 4 | Power Supply Connection |
| 5 | Air Discharge |
| 6 | Air Suction |



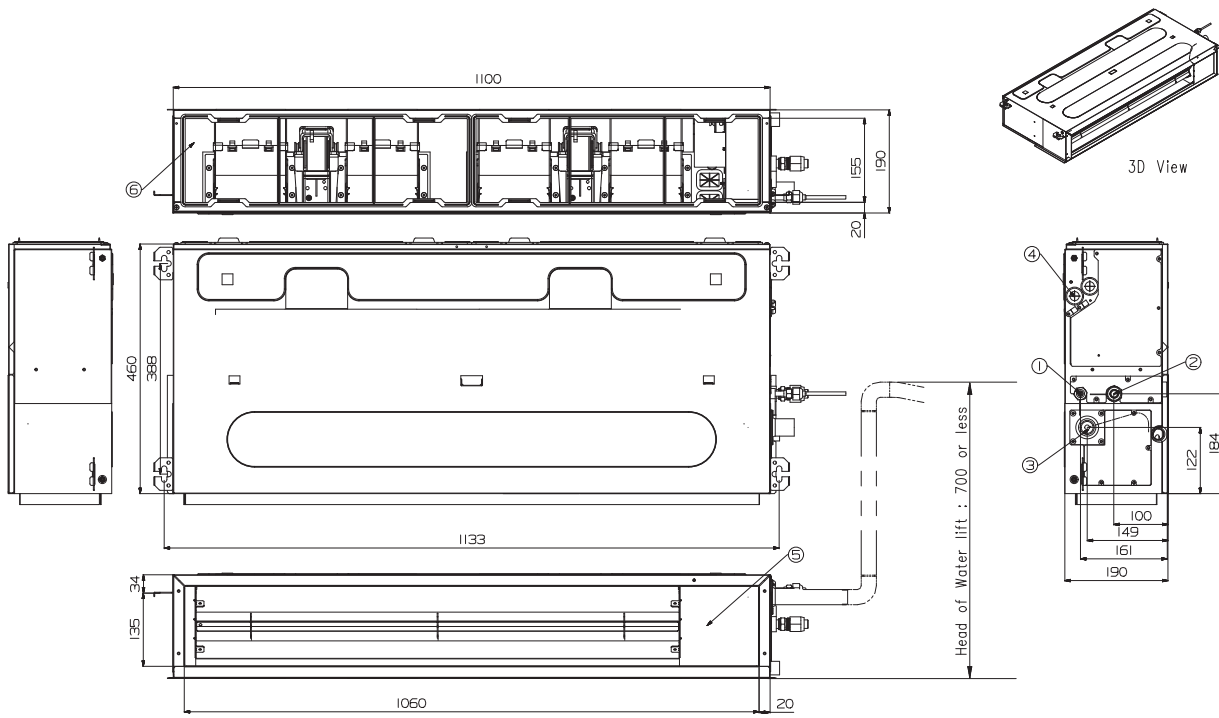
CEILING CONCEALED DUCT

STANDARD / COMPACT INVERTER (R32) / LOW STATIC

CL18F N60

(Unit : mm)

| | PART NAME |
|---|-------------------------|
| 1 | Liquid Pipe Connection |
| 2 | Gas Pipe Connection |
| 3 | Drain Pipe Connection |
| 4 | Power Supply Connection |
| 5 | Air Discharge |
| 6 | Air Suction |



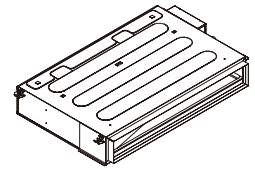
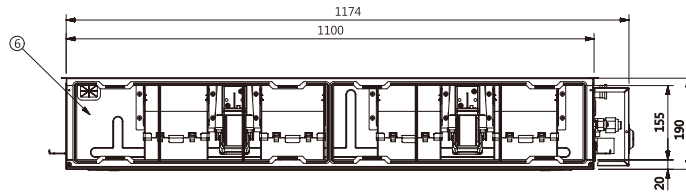
CEILING CONCEALED DUCT

STANDARD / COMPACT INVERTER (R32) / LOW STATIC

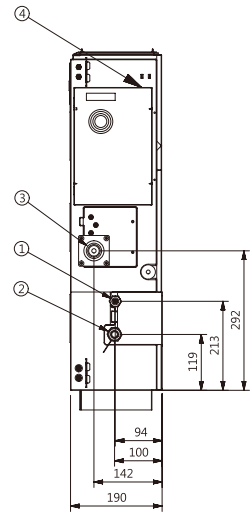
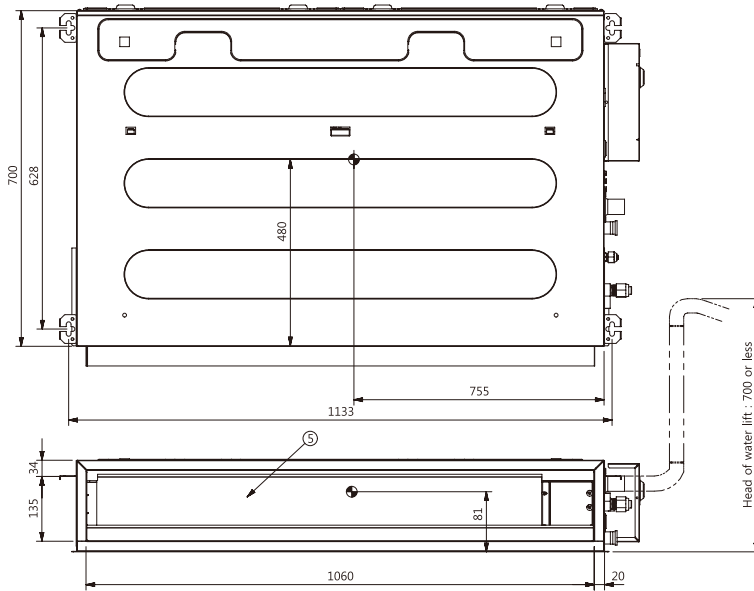
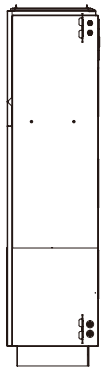
CL24F N30

(Unit : mm)

| | PART NAME |
|---|-------------------------|
| 1 | Liquid Pipe Connection |
| 2 | Gas Pipe Connection |
| 3 | Drain Pipe Connection |
| 4 | Power Supply Connection |
| 5 | Air Discharge |
| 6 | Air Suction |



3D-VIEW



5 Gravity point